

LOGIC MAX SYSTEM

15 18 24 30kW



Compact cupboard fit



NOx class 6



Easy to see pressure gauge



Frost protection



Halo Wi-Fi & RF control compatible



Easy to use fully back-lit LCD display



Ideal System Filter included to maintain and protect your heating system



**UP TO
£40**

EARN INSTALLER CONNECT POINTS FOR EVERY LOGIC MAX SYSTEM YOU REGISTER



Features & specification

QUALITY AND RELIABILITY AS STANDARD

- Low component count maximising reliability
- Latest generation Honeywell gas valve
- Built in frost protection
- Ideal System Filter included in the box

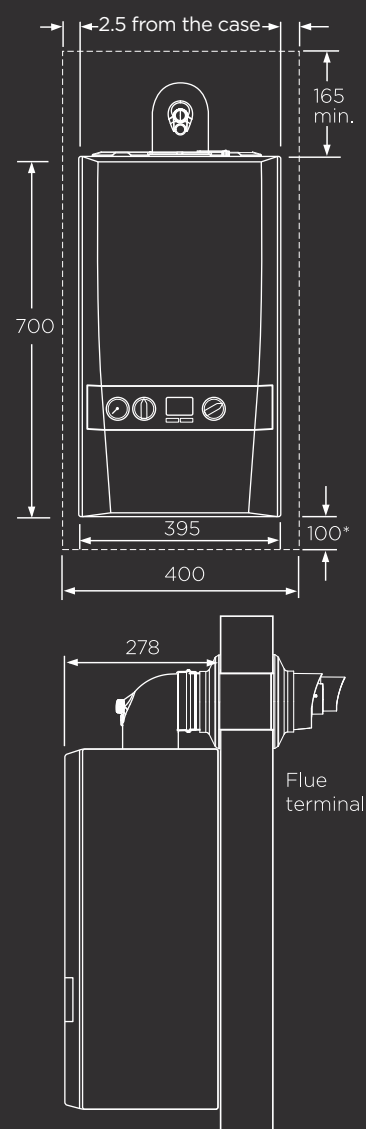
END USER BENEFITS

- Award winning range
- Service indication
- Compatible with a range of additional controls inc. weather compensation and OpenTherm controls
- LPG conversion kit available for 30 kW boilers

EASY TO INSTALL AND SERVICE

- Low boiler lift weight of 26.1kg
- Compact cupboard fit
- Easy to see pressure gauge
- Stand-off kit including pre-pipe options
- Wide range of flueing options
- Preformed copper tails
- Pre-wired mains lead
- Safety valve outlet pipe included

Clearances & dimensions



Dimensions in mm.

Technical specification

LOGIC MAX SYSTEM MODELS	15	18	24	30
Weight (packaged) kg	34	34	34	34
Max installation weight kg	26.1	26.1	26.1	26.1
CH output (kW) min/max mean 70°C	4.8 - 15.0	4.8 - 18.0	4.8 - 24.2	6.1 - 30.3
CH output (kW) min/max mean 40°C	5.1 - 15.9	5.1 - 19.1	5.1 - 25.6	6.4 - 31.0
DHW output (kW) max	n/a	n/a	n/a	n/a
DHW flow rate l/min. 35°C rise	n/a	n/a	n/a	n/a
SEDBUK rating (2005) %	91.2	91.1	91.2	91.1
SEDBUK rating (2009/2012) %	89.4	89.7	89.7	89.6
NOx classification	CLASS 6	CLASS 6	CLASS 6	CLASS 6
LPG conversion	No	No	No	Yes
Max horizontal flue	9m	9m	9m	8m
Max vertical flue	7.5m	7.5m	7.5m	7.5m
Powered vertical flue	22m	22m	22m	22m
Seasonal space heating efficiency class	A	A	A	A
Seasonal space heating energy efficiency η_s %	93	93	94	93
Sound power level, indoors L _{WA} dB	44	46	48	48
Water heating energy efficiency class	n/a	n/a	n/a	n/a

T: 01482 492251 E: ideal@idealheating.com

Ideal Heating, PO Box 103, National Avenue, Kingston upon Hull, East Yorkshire, HU5 4JN.

Clearances & dimensions note: The minimum front clearance when built into a cupboard is 5mm from the cupboard door but 450mm overall clearance with the cupboard door open is required for servicing.
*Bottom clearance after installation can be reduced to 5mm. However, 100mm is required for servicing.